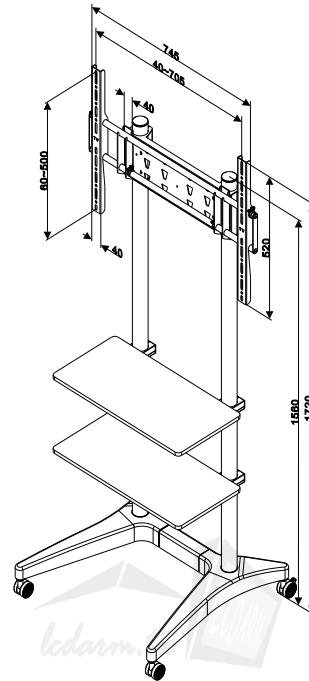
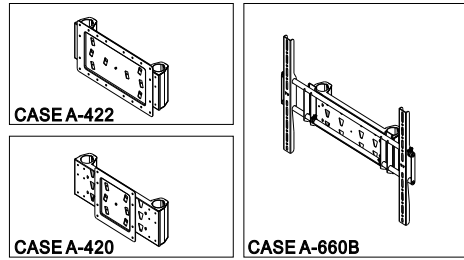




A-330 Mobile LCD/Plasma TV Stand



- * Universal adjustable mount for LCD/Plasma TV
- * Easy installation and strong combination both
- * Heavy Loading: 100kgs or 220lbs
- * Position of the TV sets and platform adjustability
- * Easily move anywhere
- * Flexibility and movement

OPTION:

- * CASE A-420: VESA standard 200x100/200x200mm screw holes
- * CASE A-422: VESA standard 200x100/200x200/300x100/300x200/400x100/400x200 mm screw holes
- * CASE A-660B: Adjustable screw position for TV backside mount between 40~705mm and 60~500mm