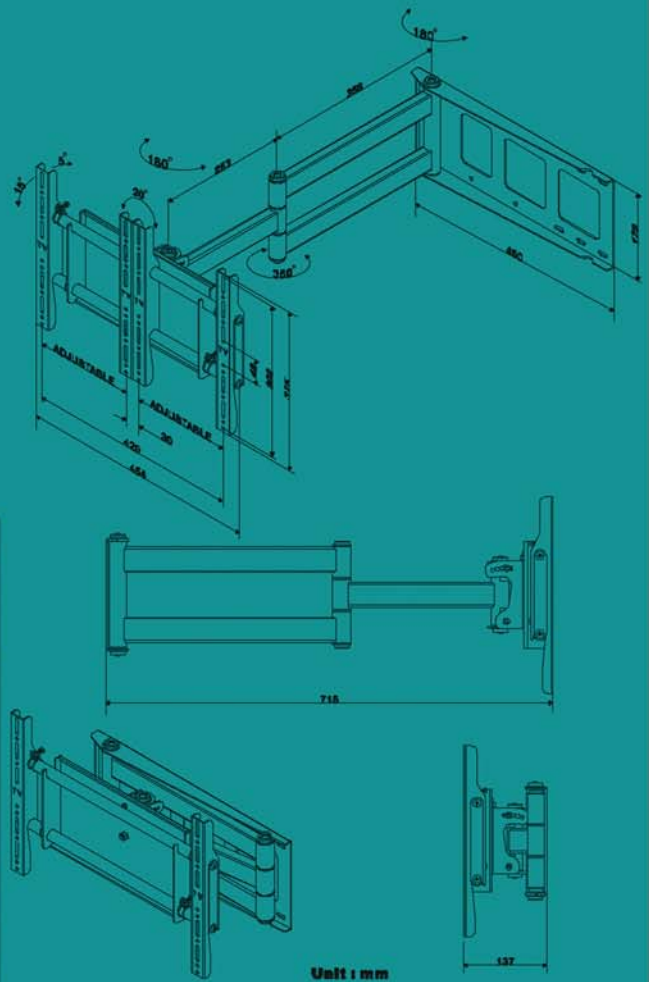


A770



- Universal Adjustable Swiveling articulating, tilting, leveling Arm for LCD TV Wall mount
- Easy installation and strong combination both
- Adjustable screw position for TV backside mount
- Including universal types of TV mounts
- TV backside horizontal screw range: 3~40cm(1.2~16")
- TV backside vertical screw range: 5~28cm(2~11")
- Backward&forward tilting angle: $-5^{\circ}\sim 15^{\circ}$
- Left&right leveling angle: $-10^{\circ}\sim 10^{\circ}$
- Between TV backside and Wall distance: 10~70cm(4~28")
- Weight: 9kgs(20lbs)
- Loading: 50kgs or 110 lbs (52" TV weight)

All rights reserved by multi-countries patent

Your Unique Patent LCD TV POP Mount

Your exclusive Mount